



The Night Sky

The Newsletter of
The Astronomy Club of Akron

www.acaoh.org

January 2023

ACA MEETING - Sunday, January 15th, 2023 at 2:00 PM

President's Column

By Cathy Loboda

Members, mark your calendars!! We have exciting speakers scheduled for our upcoming ACA meetings! All meetings are held in person on Sundays at the Portage Lakes Kiwanis Civic Center, 725 Portage Lakes Drive, Akron. Presentations begin at 2:00 pm with a short ACA meeting to follow. Hope to see you there!

January 15, 2023: Phil Creed has longtime associations with Northeast Ohio Astronomy groups and specializes in Astrophotography. Phil will present "Twice as Nice--the 2023 and 2024 American Solar Eclipses".

February 19, 2023: Gary Kader, Director of Burrell Observatory at Baldwin Wallace will present "Seeing Double: Observing Double Stars for Fun and Science."

March 19, 2023: Jay Reynolds, Cleveland State University, will present "The Science of Climate Change".

April 30, 2023: Jodi and Roy McCullough of Mahoning Valley Astronomical Society: topic to be determined.

New Members

ACA extends a warm welcome to the following new members:

- Troy Adams
- Katie Adams
- John Darr & Family

ACA thanks you for your membership and interest in our club! We look forward to seeing you at future club events!

Correction

Apologies to new member Jonathan French whose name was incorrectly listed in ACA's December newsletter.

OFFICERS 2022 — 2024

President: Cathy Loboda

- E-mail: president@acaoh.org

Vice President: Gary Smith

- E-mail: vice.president@acaoh.org

Treasurer: Dave Hartsook

- E-mail: treasurer@acaoh.org

Secretary: Marnie Sanders

- E-mail: secretary@acaoh.org

Assistant Secretary/Treasurer: Reece Davis

- E-mail: secretarytreasurer@acaoh.org

Observatory Director: Ron Kalinoski

- E-mail: observatory.director@acaoh.org

ACA Webmaster: Jeff Hudson

- E-mail: webmaster@acaoh.org

Publications Secretary: Glenn R. Cameron

- E-mail: newsletter.editor@acaoh.org

Trustee: Mike Sanders

- E-mail:

Trustee: position vacant

- E-mail:

Trustee: position vacant

- E-mail:

Statutory Agent: Mark Kochheiser

- E-mail: statutoryagent@acaoh.org

OTAA Representative: Lou Poda

- E-mail:



ACA Minutes For Membership Meeting, 2 PM, November 20th, 2022 (reprint)

By Marnie Sanders

Glenn Cameron presented a program on Asteroid Hunting and Astrometry together with his "quick" telescope roll-out and wireless remote control process that he utilizes with his personal equipment. Q & A followed. Thanks Glenn!

The business meeting called to order at 3:10 PM

The agenda items were discussed as follows:

Vice President's report

- Additional assistance with speakers arrangements successful with January and February dates filled. Continued assistance will yield full calendar soon.

Secretary's Report

- October minutes were published to Night Sky Newsletter on the ACA website.

Treasurer's Report

- October financial report was published to Night Sky Newsletter on ACA website.

Old Business

- Members enjoyed the social at the Galaxy restaurant-delicious as usual!
- Honorary Membership for Dave Jessie was deferred due to a personal event and Dave Hartsook presented to him in his home. A picture with details is planned for the next Night Sky Newsletter.
- Speakers for January and February are confirmed: other speakers in progress.

New Business

- Glenn Cameron will provide refreshments for January 2023 meeting.
- Social events for 2023 will be further explored and communicated later.
- Advertising future presentations will be further explored/decided for 2023.
- Guest Night Sky Newsletter contributors solicited: contact Glenn Cameron asap with submissions for "special edition" December Newsletter (if enough interest).
- Two trustees still needed: contact Cathy Loboda.

Observatory Director's report

- Mars opposition is upcoming in December-closest since 2018 Call for Observations.

Calls for Observations

- Gary, Stuart, and Ron contributed: a) the upcoming "parade" of Saturn, Jupiter, and Mars with Mars @3rd brightest object in the sky until Dec 6; b) the SLS and Artemis Launch Spectacular this week.

Member Inquiries

- None

Additional Items

- 2023 Honorary Membership award to be discussed at next Board Meeting
- ACA screen installation delay issue: Marnie will contact Dana asap and resolve.

Meeting adjourned at 3:50 PM

Respectfully submitted



December 2022 ACA Treasurer's Report
By Dave Hartsook
1/3/2023

Checking Beginning Balance	\$1,813.33
-----------------------------------	-------------------

Income

Membership Dues Received (1 Adult renewal)	\$30.00
Membership Dues Received (NEW Memberships pro-rated)	\$93.75
Charitable Contributions Received	\$21.25
PayPal Net Fee/Charge	\$0.20

Total Income	<u>\$145.20</u>
---------------------	-----------------

Expenses

Reimburse member for new pipe cap on 5" refractor pier	-\$11.61
Reimburse Secretary for ACA Certificate of Appreciation to Honorary Member	-\$10.67

Total Expenses	<u>-\$22.28</u>
-----------------------	-----------------

Income Less Expenses	\$122.92
-----------------------------	----------

Checking Ending Balance	<u><u>\$1,936.25</u></u>
--------------------------------	--------------------------

Savings Beginning Balance	\$3,768.63
----------------------------------	-------------------

Interest Income	\$0.03
-----------------	--------

Savings Ending Balance	<u><u>\$3,768.66</u></u>
-------------------------------	--------------------------

Petty Cash Beginning Balance	\$50.00
-------------------------------------	----------------

No Activity

Petty Cash Ending Balance	\$50.00
----------------------------------	----------------

Grand Total	\$5,754.91
--------------------	-------------------

January's ACA Meeting Promo!

By Marnie Sanders

Members! Tired of boring TV??? Get out of your house or apartment this month and come to our meeting! Sunday, January 15th at 2 pm!

Bring guests who enjoy solar eclipses!! This month we have a new program with fantastic photography of past solar eclipses in anticipation of the upcoming solar eclipses!

Phil Creed will be bringing great photos to share as he specializes in "Astrophotography" and is bringing some of his best! He has a long time association with northeast Ohio astronomy groups!

Come and enjoy his presentation: "Twice as Nice: the 2023 and 2024 Solar Eclipses!"

You also will enjoy the delicious refreshments that our publications officer Glenn is going to provide and the great coffee our observatory director Ron will make! We will also bring some cold drinks to share! SEE YOU THERE!!!!!!

Portage Lakes Kiwanis Civic Center
725 Portage Lakes Drive
Akron, Ohio 44319

Future Presentations

February 19th, 2023

Gary Kader, Director of Burrell Observatory at Baldwin Wallace will be presenting, "Seeing Double: Observing double stars for fun and science"

March 19th, 2023

Jay Reynolds, Cleveland State University, will be presenting, "The Science of Climate Change"



Marnie's Astro News Bits

By Marnie Sanders

- Apollo 17 – last human footsteps on the moon – 50 years ago

<https://earthsky.org/human-world/apollo-17-last-human-footsteps-on-the-moon-dec-14-1972/>

- Shattered Shatner! Who could resist listening to William Shatner (now in his 90's!) describing his space jaunt last year with Jeff Bezos? Certainly not I, a die-hard Trekkie! Was I astounded, however, to learn that Shatner's take-away that day was grief rather than the joy and wonder he portrayed as Kirk? Well, you may be the judge by taking the link below. PS: If you listen to or read all of the article, you may be surprised by the writer/interviewer's opinion of modern space travel!

<https://www.theatlantic.com/podcasts/archive/2022/12/our-strange-new-era-of-space-travel/672602/>

- Isaac Newton's Birthday: January 4, 1643 (Or was it December 25, 1642?)

The articles in EARTHSKYNEWS are for those of us whose scientific knowledge and vocabularies may not match those of the more professional minds, and that is why I like them! Have you read any of the articles found within that have been published in our Newsletters? If not, here is one that is of such importance that even those of us who have long been members of the ACA can appreciate this article about Isaac Newton.

Oh, I have been introduced to him in school and read several articles and witnessed the apple falling from the tree experiment, but the importance of his contributions simply cannot be overstated! So if you have never read much about him, you will enjoy this wonderful review of his contributions, I invite you to subscribe for yourself as well! Please click on the link below!

https://earthsky.org/human-world/this-date-in-science-isaac-newtons-birthday/?utm_source=EarthSky+News&utm_campaign=5fad0987e5-

Swap-n-Shop

Freddy Huffman

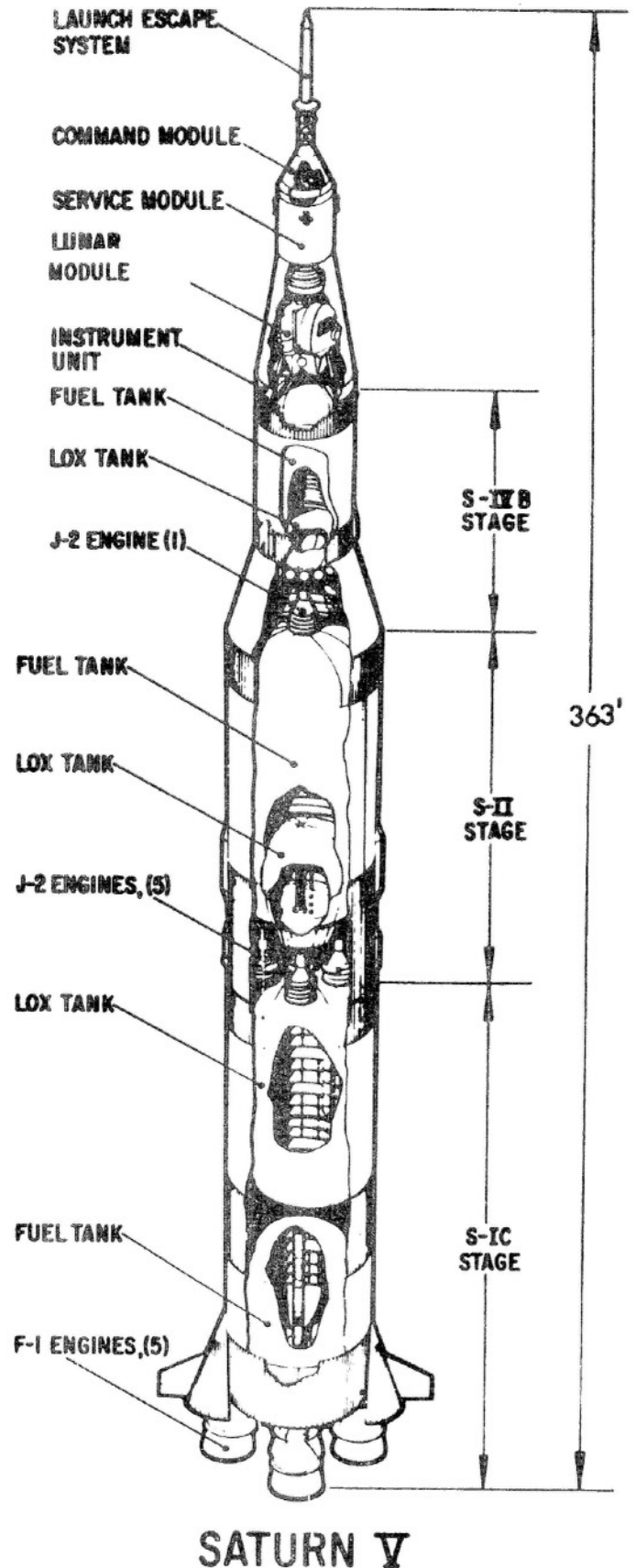
Phone: 330-535-8009

Email: trusstube2@gmail.com

- 8" Dobsonian
- 8" SCT
- 6" SCT
- 6" Refractor
- 5" Refractor
- 100 mm Binoculars
- EQ Mount w/ dual axis tracking
- iOptron SkyTracker and tripod

Call to set up appointment to see if you are interested.

Thank you,



Blast From January's Past

By Glenn R. Cameron

Firstly, please don't be angry that I continued to use the word "blast" in what is becoming a monthly column of my astronomy memories from years past. Believe me, I don't use that word glibly here as I remember the crew of the space shuttle Challenger.

Thirty-seven years ago this month the space shuttle Challenger exploded, 73 seconds after launch. I still feel the same punch in the stomach I felt then when I woke up that morning and routinely turned on CNN for the day's news.

On the screen was the now familiar video of the smoke cloud, the looping contrail of the out of control solid rocket booster and the smaller contrails of other falling pieces of the orbiter. I couldn't credit what the reporters were saying. It was surreal. How could this happen?

The fates of the astronauts were mourned and questioned for months after. Did they die immediately? Did they suffer? Could they have survived? Could safety systems and ejection schemes have saved their lives? The media relentlessly covered the families and their reactions. A "lucky" school teacher among the crew was ultimately unlucky and her family was devastated. America reeled. Space had become routine and safe, hadn't it? What went wrong?

Nine months and a day after the disaster the Rogers Commission report revealed failures of hardware, processes, and leadership. The tragedy was so very avoidable. In addition to the report there are scores of memoirs and studies about that day and the preceding events that led to it.

Astronaut John Young, in his book, *Forever Young*, was critical of NASA's "lack of safety" culture. He worked to improve space shuttle safety until his retirement in 2004.

Nobel prize winning theoretical physicist, Richard Feynman sat on the Rogers Commission and recounted that experience in his book, *The Pleasure of Finding Things Out*. At a Rogers Commission meeting he famously demonstrated, with a glass of ice-water, the shrinking and non-pliability of the O-ring material, the same material comprising the failed shuttle O-ring on that unusually cold Florida morning. He too criticized the failure of NASA management as a major contributing factor in the crash.

The shuttles were grounded while NASA meticulously reviewed and overhauled every aspect of the space shuttle program with the intention of improving mission safety. The space program in general and the human crewed missions in particular have always carried risk of injury or death. But commercial and political pressures influenced NASA decision making and disaster was the result.

The Challenger mission was the 25th shuttle mission. Too many people felt that going to space was becoming routine and that risk must therefore be low. Eleven months after the release of the Rogers Commission report the space shuttle Discovery launched successfully. Surely NASA had fixed the problem. Well, made sure that problem couldn't

happen again. Everything was safer now. Nothing could go wrong.

We know of course that there was another shuttle disaster. Honestly, I'm not writing this to "blast" NASA. It's a dangerous profession, being an astronaut. NASA can never achieve risk free space flight but they should never stop trying to reach that goal.

In June of 2009 I took the above picture of the Arlington National Cemetery's grave stone for the crew of the space shuttle Challenger. It is touching, heartbreaking, and haunting.



January Astronomical Events

Date	EST (h:m)	Event
01	15:25	Moon at Ascending Node
02	20:00	Mercury at Perihelion
03	01:24	Pleiades 2.6°N of Moon
03	19:35	Mars 0.5°N of Moon: Occn.
04	03:00	Quadrantid Meteor Shower
04	16:00	Earth at Perihelion: 0.98329 AU
06	23:08	FULL MOON
07	13:00	Mercury at Inferior Conj
07	13:40	Pollux 1.9°N of Moon
08	09:19	Moon at Apogee: 406459 km
14	21:59	Spica 3.9°S of Moon
15	02:10	LAST QUARTER MOON
16	06:32	Moon at Descending Node
18	09:32	Antares 2.1°S of Moon
20	12:00	Jupiter at Perihelion: 4.95101 AU
21	20:53	NEW MOON
21	20:58	Moon at Perigee: 356570 km
22	22:00	Venus 0.3°S of Saturn
23	07:22	Saturn 3.8°N of Moon
23	08:20	Venus 3.5°N of Moon
26	02:00	Jupiter 1.8°N of Moon
28	15:19	FIRST QUARTER MOON
28	16:05	Moon at Ascending Node
30	06:00	Mercury at Grtst Elong: 25.0°W



February Astronomical Events

Date	EST (h:m)	Event
03	19:47	Pollux 1.9°N of Moon
04	08:55	Moon at Apogee: 406476 km
05	18:29	FULL MOON
06	17:44	Regulus 4.5°S of Moon
11	04:23	Spica 3.6°S of Moon
12	07:31	Moon at Descending Node
13	16:01	LAST QUARTER MOON
14	18:09	Antares 1.9°S of Moon
15	20:00	Mercury at Aphelion
16	16:00	Saturn in Conjunction with Sun
18	20:53	Mercury 3.6°N of Moon
19	09:06	Moon at Perigee: 358267 km
20	07:06	NEW MOON
22	07:57	Venus 2.1°N of Moon
22	21:58	Jupiter 1.2°N of Moon: Occn.
24	18:56	Moon at Ascending Node
26	14:42	Pleiades 2.1°N of Moon
27	08:06	FIRST QUARTER MOON
28	04:32	Mars 1.1°S of Moon: Occn.



The Night Sky

Newsletter of the Astronomy Club of Akron

c/o Glenn R. Cameron, Editor